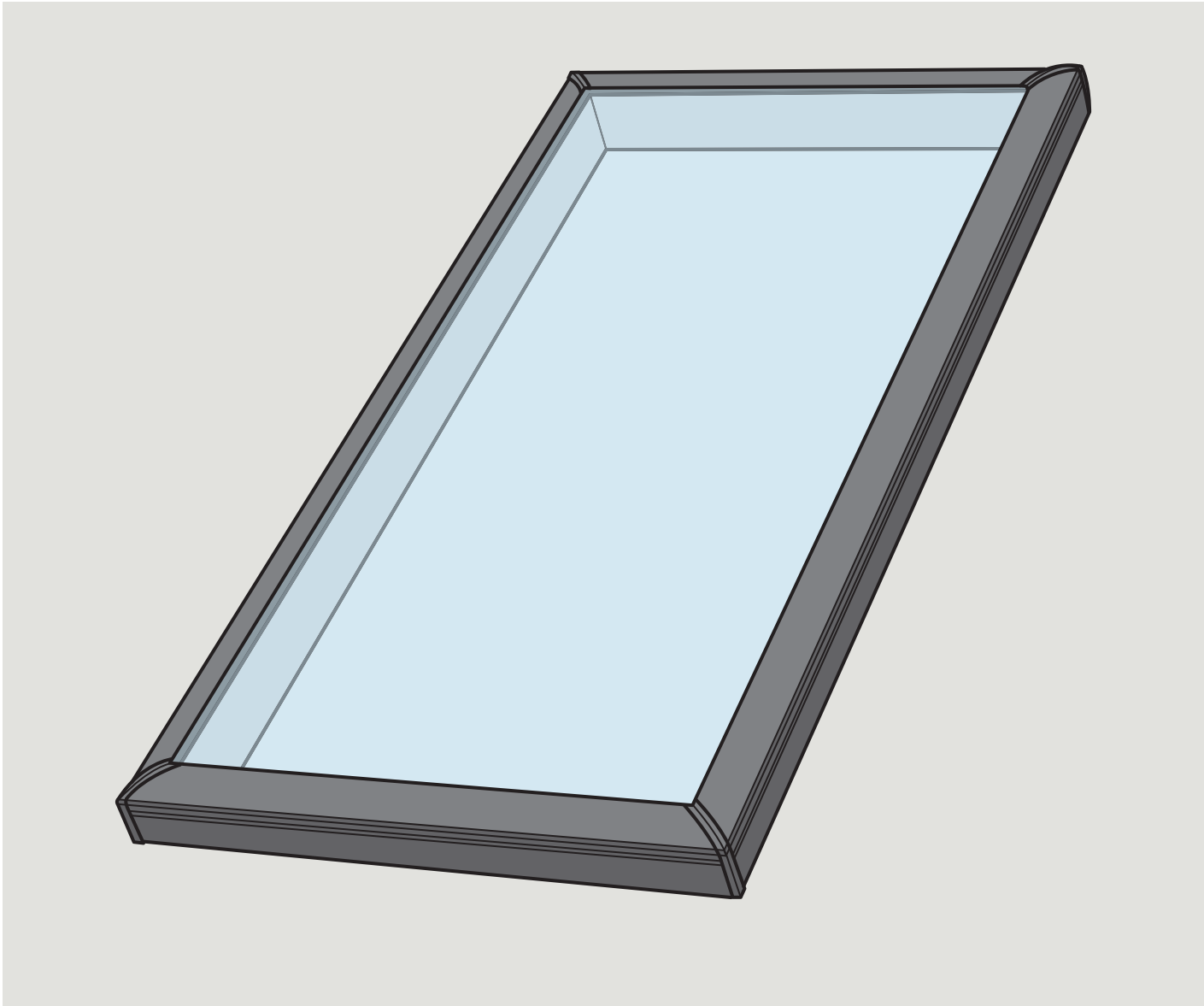


FCM



Curb Mounted Skylight Installation Instructions



Index

Important installation requirements	2	Installing flashing	11
Planning	3	Mounting skylight	12
Installing underlayment	8		

Important installation requirements

Roof pitch

FCM is designed for roof pitches 0°-60°.

Special consideration for applications below roof pitch 15°:

- Any condensation that forms on the glass due to high humidity may drip.
- Standing water and dirt left on the glass over time may cause smudging and corrosion of the glass.

The two above mentioned occurrences are not covered under the VELUX warranty.

To reduce the risk of dripping condensation and smudging/corrosion of the glass, it is recommended that FCM is installed with a slight pitch, for instance 3°-5°.

Flashing

Flashing ECL is designed for roof pitches 10°-60°.

Flashing ECW is designed for roof pitches 14°-60°.

Vapour barrier

Where a vapour barrier is part of the roof construction, this barrier must be extended and connected to the skylight curb.

Importance of proper installation

Satisfactory product performance depends on proper installation.

Seller accepts no responsibility whatsoever for failure of an installer to install VELUX roof windows and skylights in accordance with these installation instructions. Although VELUX roof windows and skylights are designed and manufactured to the highest standards, severe climatic exposure as well as adverse indoor conditions (i.e. high humidity) may produce temperature conditions which exceed product performance standards. In these cases, special preventive measures may be necessary.

Seller reserves the right to implement product changes for improvement without prior notification.

Sunscreening accessories

Refer to instructions for accessory type in question or contact your VELUX sales company for further information.

Seller assumes no obligation whatsoever for failure of an architect, installer or building owner to comply with all applicable laws, ordinances, building codes and safety requirements.

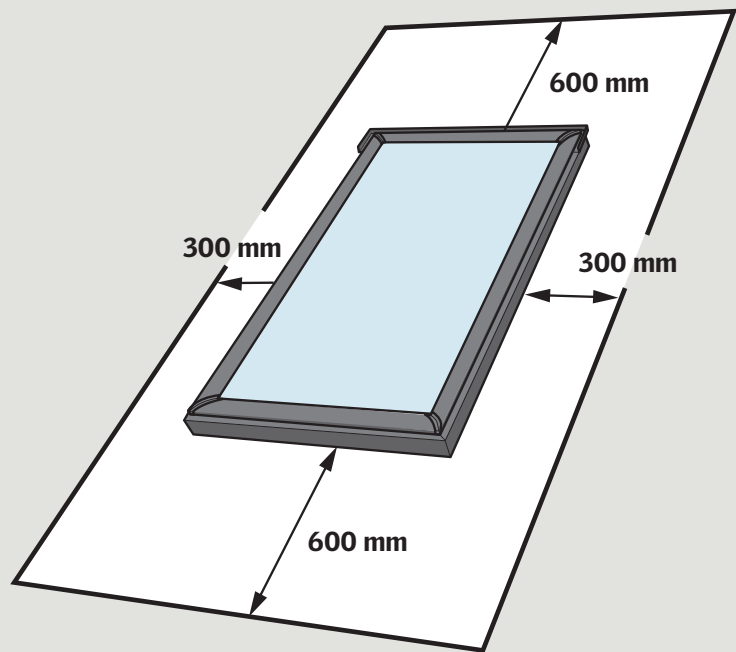
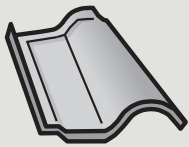
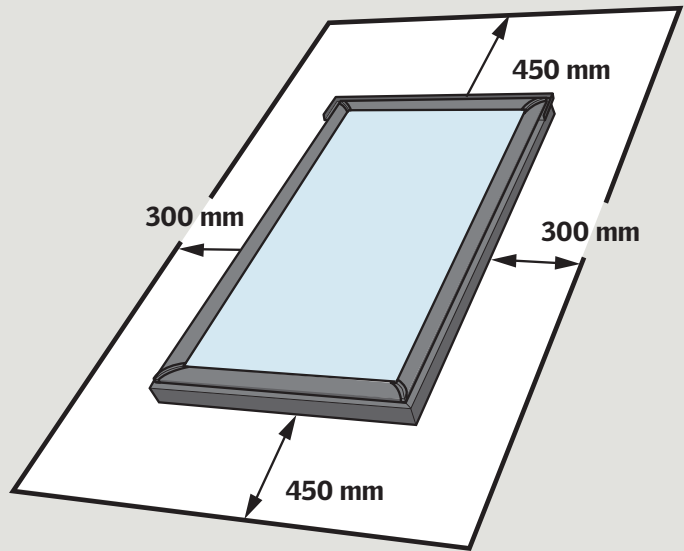
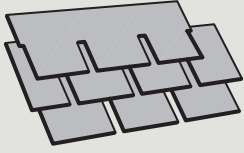
NOTICE

In rare circumstances, all glass may be subject to unexpected and spontaneous breakage due to imperfections in the glass that are undetectable during the manufacturing and inspection process by the manufacturer of the glass and the VELUX factory.

Your VELUX sales company offers the choice of laminated or tempered glass skylights. Laminated glass is a combination of two or more glass sheets with one or more interlayers of plastic (PVB) or resin. In case of breakage, the interlayer is designed to hold the fragments together. Tempered glass does not contain an interlayer to hold the fragments together. Instead, tempered glass is designed to break into small, pebble-like pieces. When tempered glass breaks, pieces of glass come loose and may strike an individual.

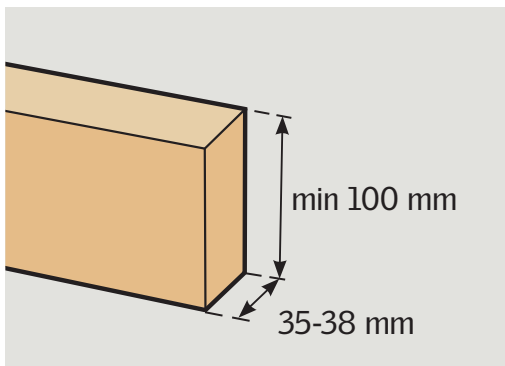
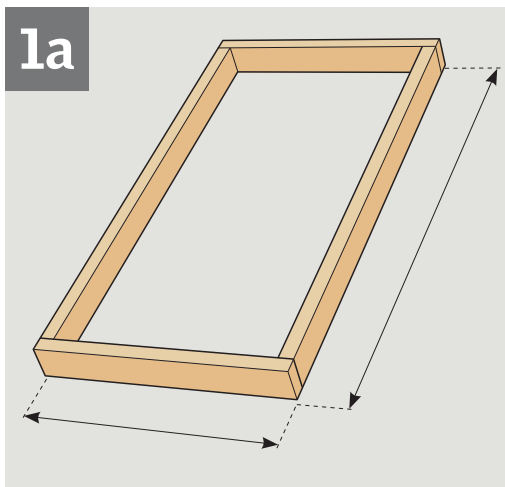
Consult local regulations and/or building material consultants to determine which type of glass is right for you or if laminated glass is required in your application.

Clearance around installations



Maintain illustrated clearances between skylight frame and critical areas such as valleys, ridges, slope changes and roof-to-wall-intersections.

Outside curb dimensions - Standard set up



Skylight size	Outside curb dimensions	Maximum flashing dimensions
1430	445 mm x 850 mm	465 mm x 870 mm
1446	445 mm x 1255 mm	465 mm x 1275 mm
2222	645 mm x 645 mm	665 mm x 665 mm
2230	645 mm x 850 mm	665 mm x 870 mm
2234	645 mm x 950 mm	665 mm x 970 mm
2246	645 mm x 1255 mm	665 mm x 1275 mm
2270 *	645 mm x 1865 mm	665 mm x 1885 mm
3030	850 mm x 850 mm	870 mm x 870 mm
3046	850 mm x 1255 mm	870 mm x 1275 mm
3055 *	850 mm x 1485 mm	870 mm x 1505 mm
3434	950 mm x 950 mm	970 mm x 970 mm
3446	950 mm x 1255 mm	970 mm x 1275 mm
4646	1255 mm x 1255 mm	1275 mm x 1275 mm

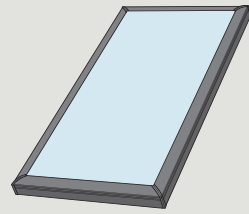
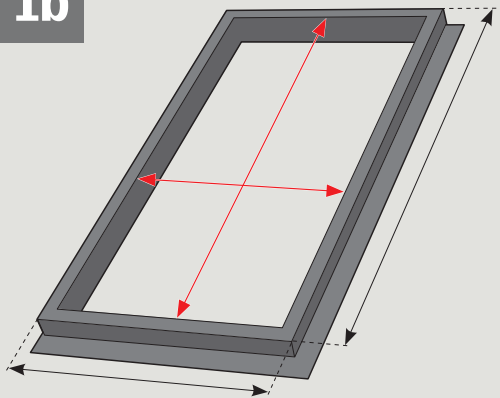
Build curb according to measurements in the chart. Use lumber with an actual thickness of 35-38 mm and a minimum height of 100 mm. Curb height and attachment should comply with building codes and regulations and be secure enough to transfer the skylight loads to the framing members.

Note: Skylight FCM can be rotated 90°.

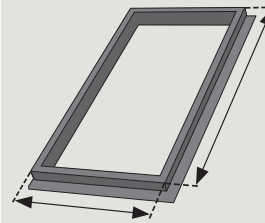
*No VELUX flashing is available for a rotated FCM, sizes 2270 and 3055.

Curb build dimensions - Advanced set up allows flexibility in materials used

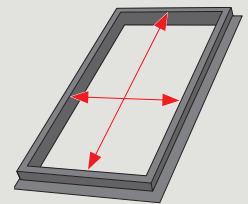
1b



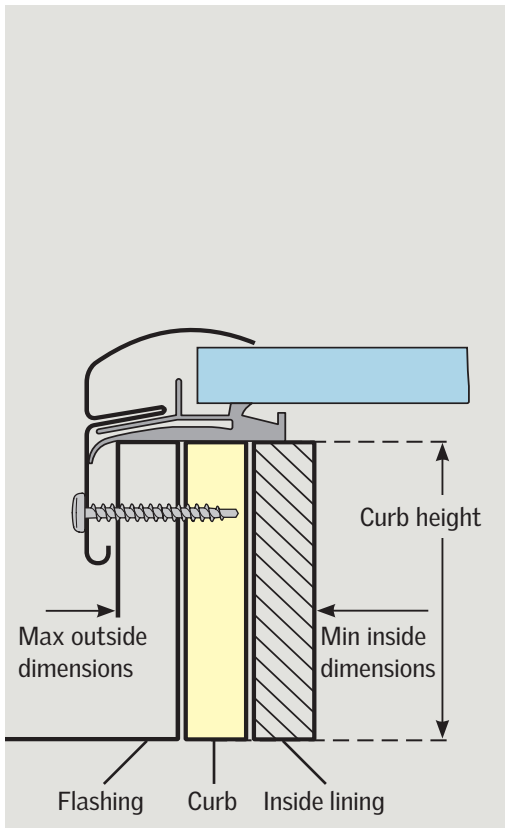
Skylight size



Max outside dimensions - flashing



Min inside dimensions - finished/lined inside curb



	Skylight size	Max outside dimensions - flashing	Min inside dimensions - finished/lined inside curb
1430		465 mm x 870 mm	340 mm x 745 mm
1446		465 mm x 1275 mm	340 mm x 1150 mm
2222		665 mm x 665 mm	540 mm x 540 mm
2230		665 mm x 870 mm	540 mm x 745 mm
2234		665 mm x 970 mm	540 mm x 845 mm
2246		665 mm x 1275 mm	540 mm x 1150 mm
2270		665 mm x 1885 mm	540 mm x 1760 mm
3030		870 mm x 870 mm	745 mm x 745 mm
3046		870 mm x 1275 mm	745 mm x 1150 mm
3055		870 mm x 1505 mm	745 mm x 1380 mm
3434		970 mm x 970 mm	845 mm x 845 mm
3446		970 mm x 1275 mm	845 mm x 1150 mm
4646		1275 mm x 1275 mm	1150 mm x 1150 mm

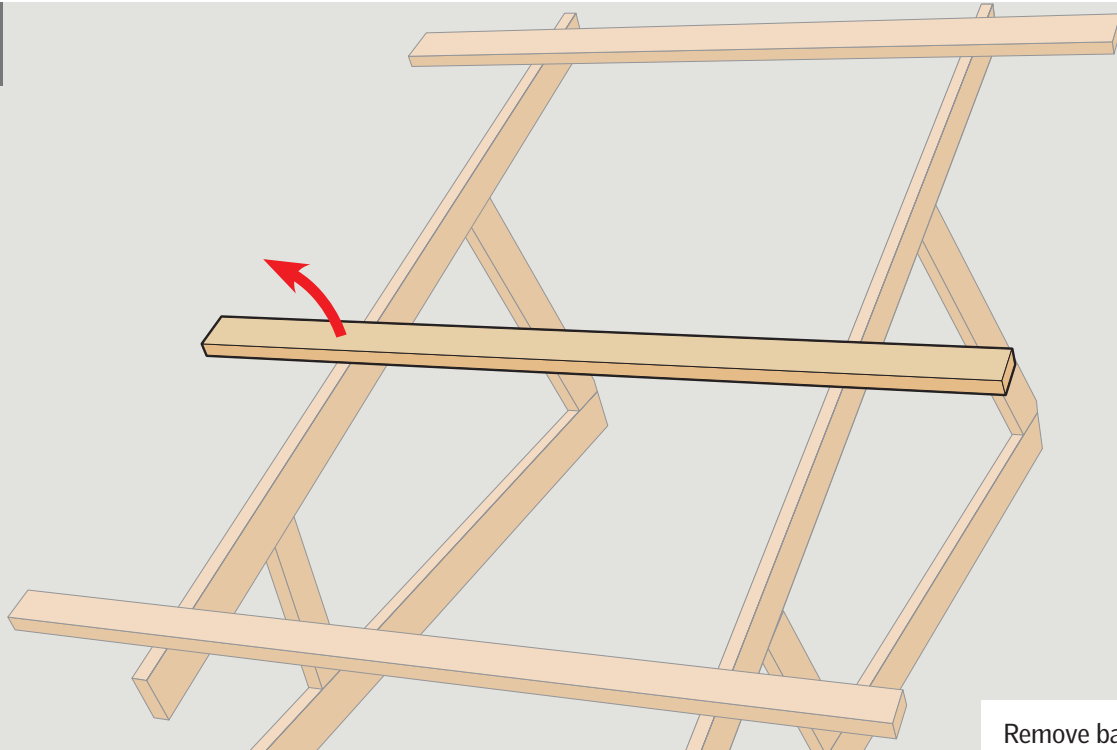
Build curb according to measurements in the chart. Curb height and attachment should comply with building codes and regulations and be secure enough to transfer the skylight loads to the framing members.

Note: Skylight FCM can be rotated 90°.

Roof framing

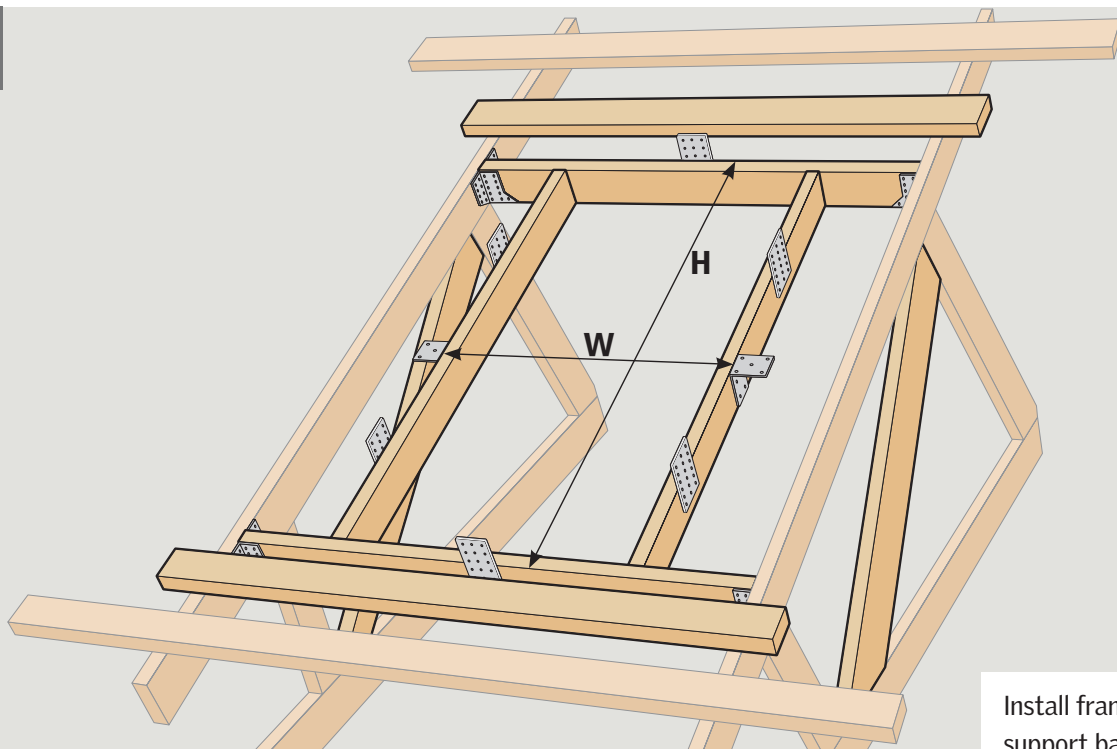
For cyclonic or high wind area requirements, contact your VELUX sales company or visit the national VELUX websites for more and detailed information.

2



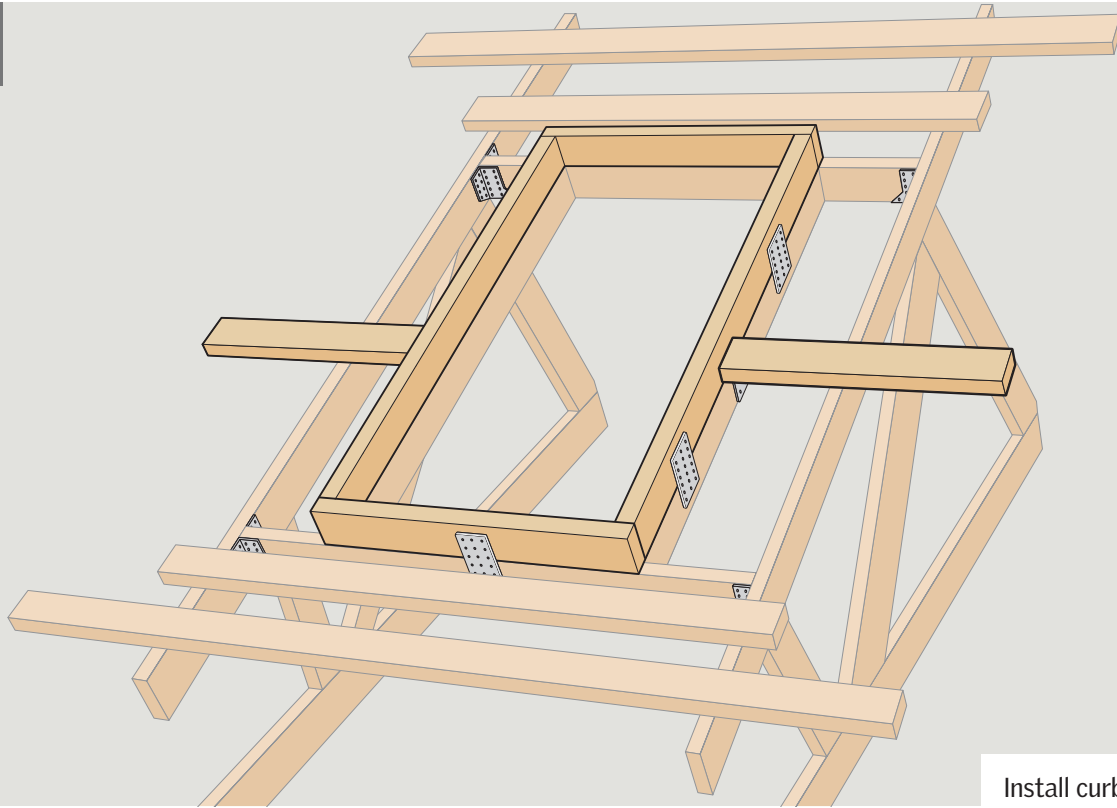
Remove batten.

3



Install framing members and support battens.

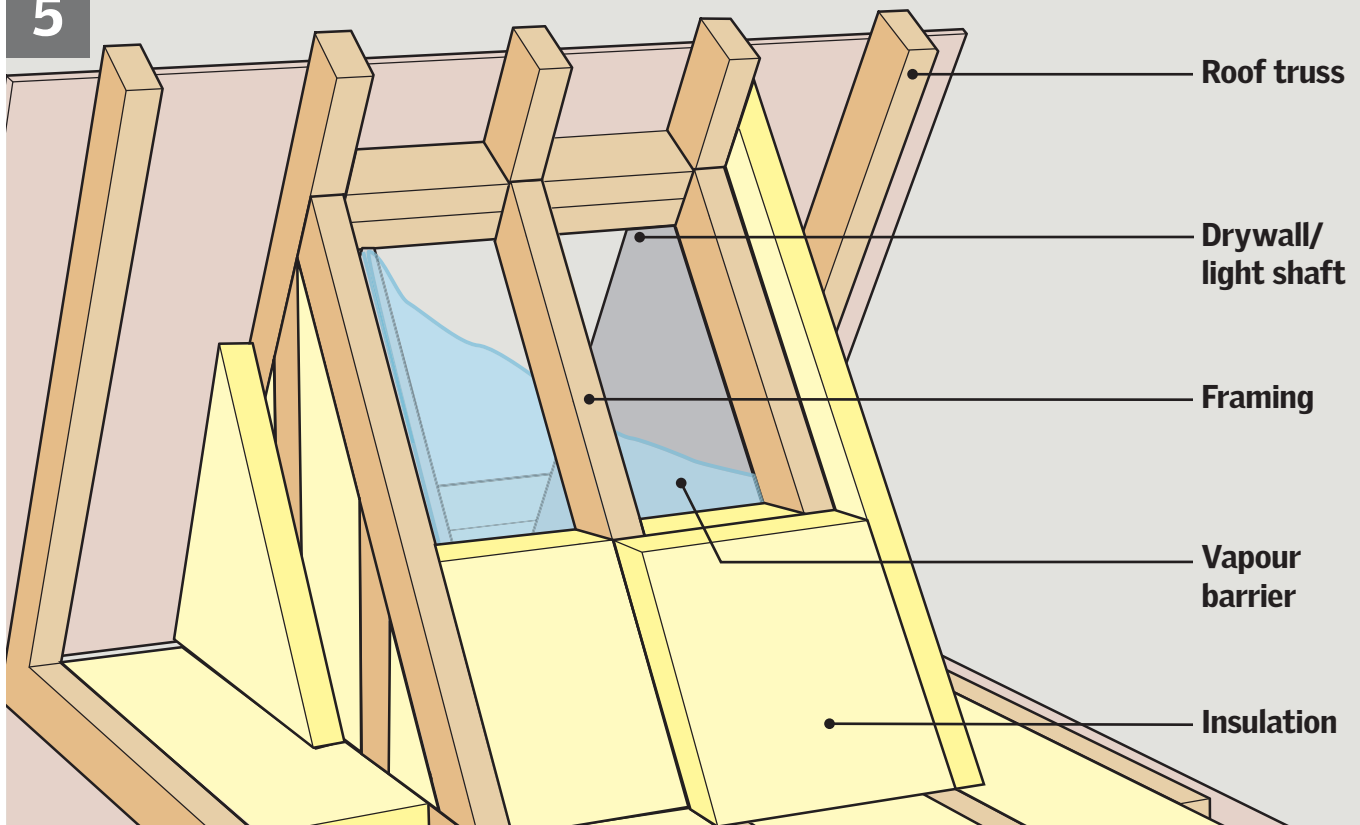
4



Install curb and roof batten.

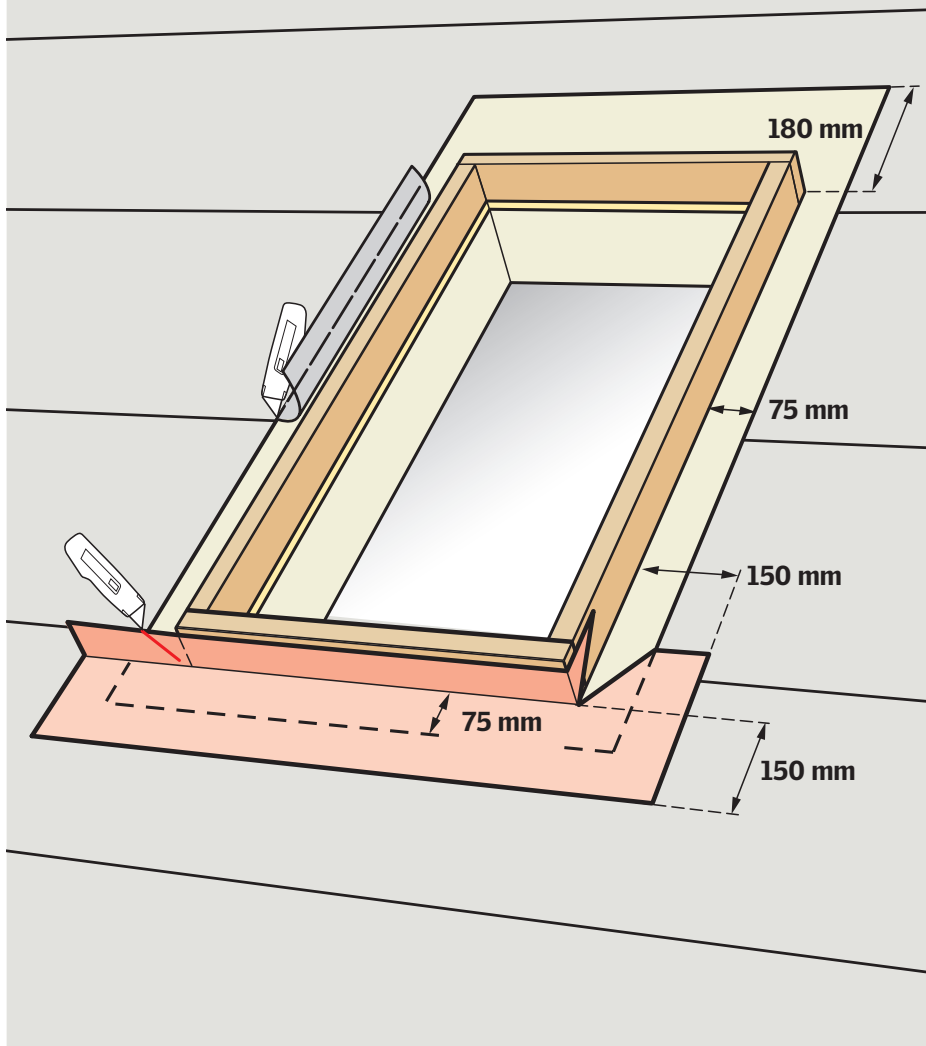
Light shaft application

5



Installing underlayment

6



Skylight curbs should be completely wrapped in self-adhesive membrane to ensure waterproofing. To achieve this waterproofing, consider using VELUX adhesive skylight underlayment ZOZ 216 (225 mm wide).

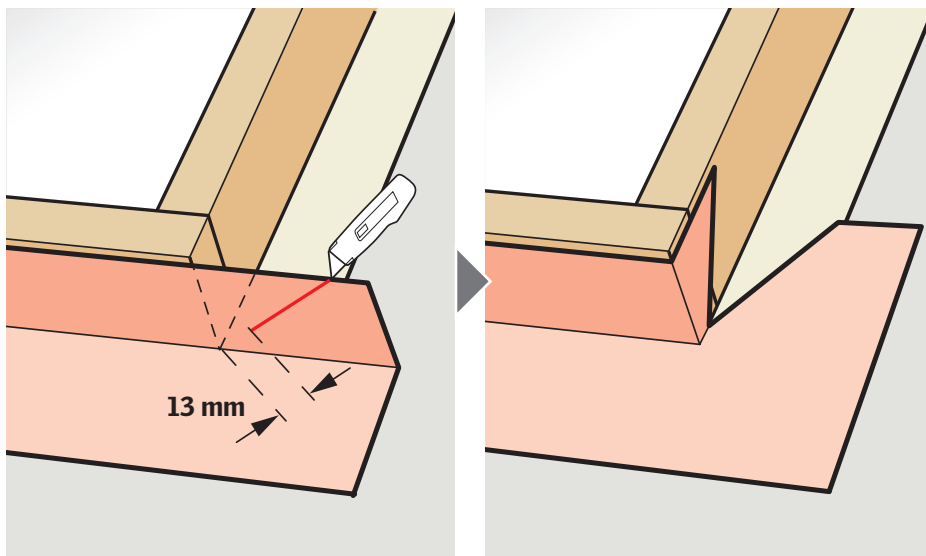
ZOZ 216 must be applied before installing the flashing.

First cut back felt 75 mm at bottom and sides of skylight, and 180 mm at top of skylight.

Note: In case of roof pitches below 15° and if snow accumulation on the roof is likely, waterproofing is achieved by installing a continuous self-adhesive waterproof membrane beneath the roofing material and flashing material.

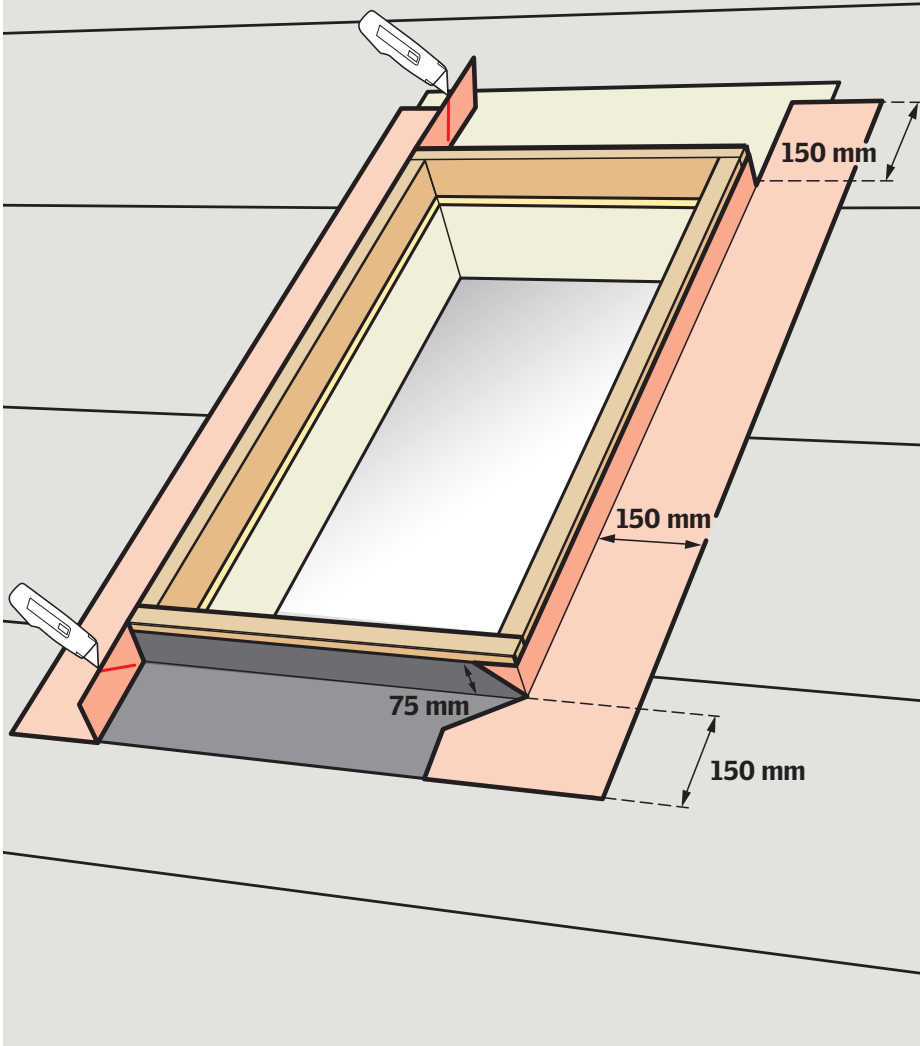
Waterproof membrane around the skylight curb must be properly integrated with waterproof membrane on roof decking.

Skylight curbs with heights over 90 mm may require additional ZOZ 216 material for proper installation.



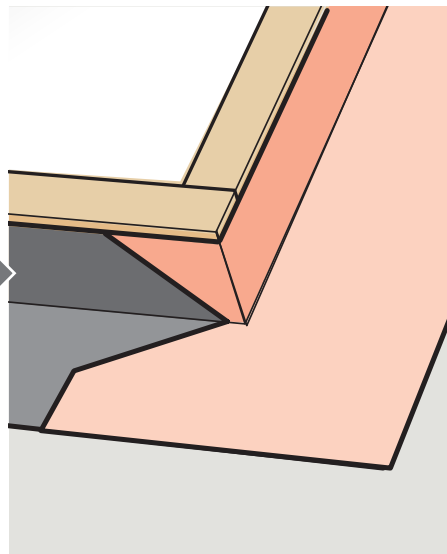
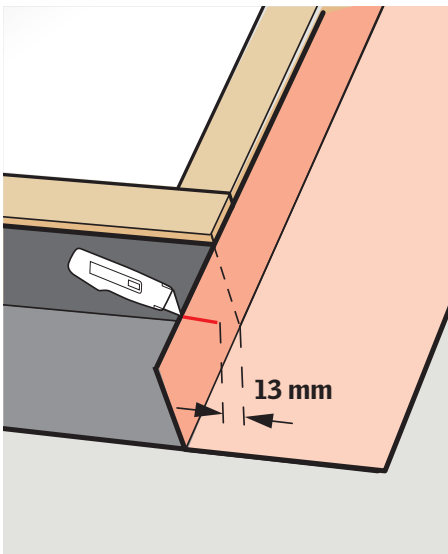
Installing underlayment

7



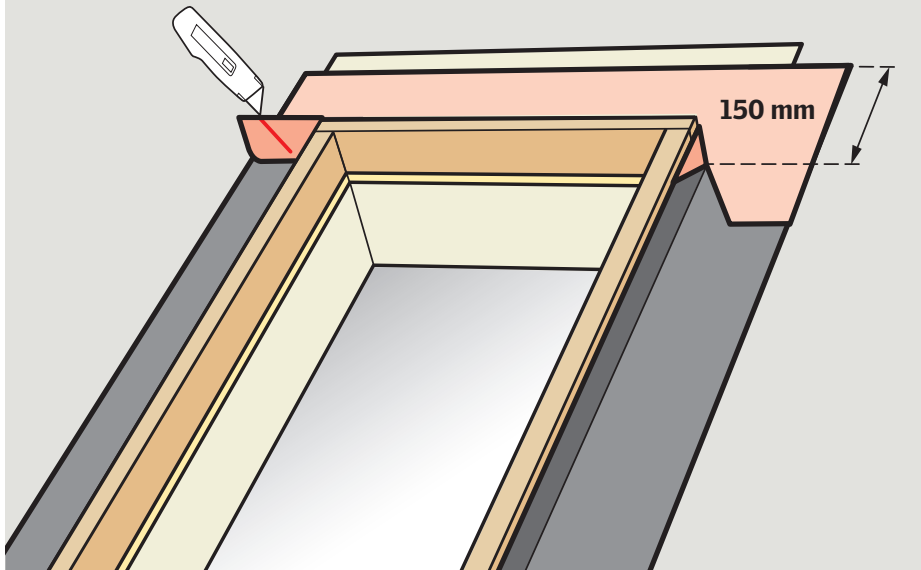
Consider wrapping the curb with VELUX adhesive skylight underlayment ZOZ 216 and create water-shedding laps over felt at bottom and sides of skylight **6**, **7**.

Note: Observe the measurements stated in **6** and **7**.

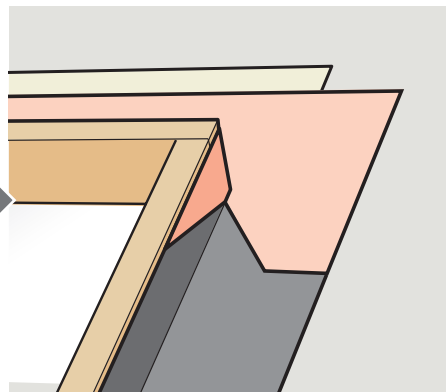
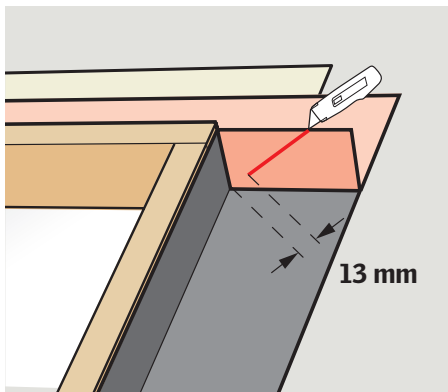


Installing underlayment

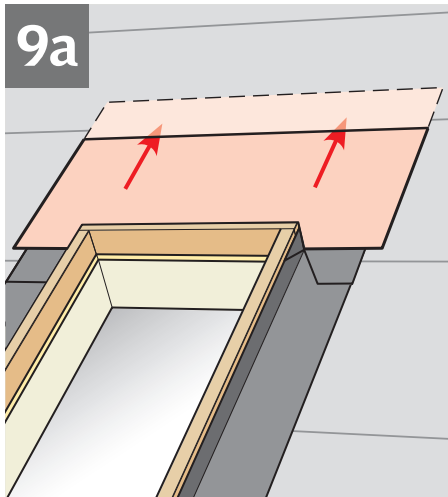
8



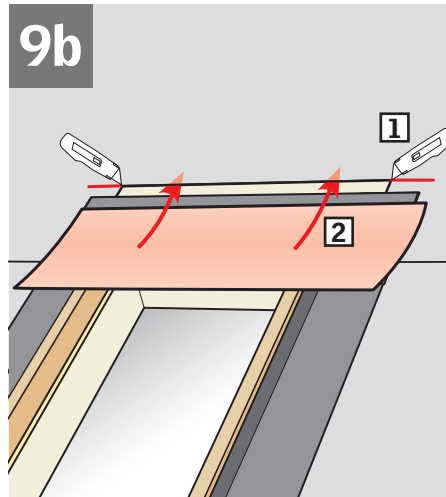
Consider wrapping the curb at top frame of skylight with VELUX adhesive skylight underlayment ZOZ 216 and create proper water-shedding lap.



9a



9b

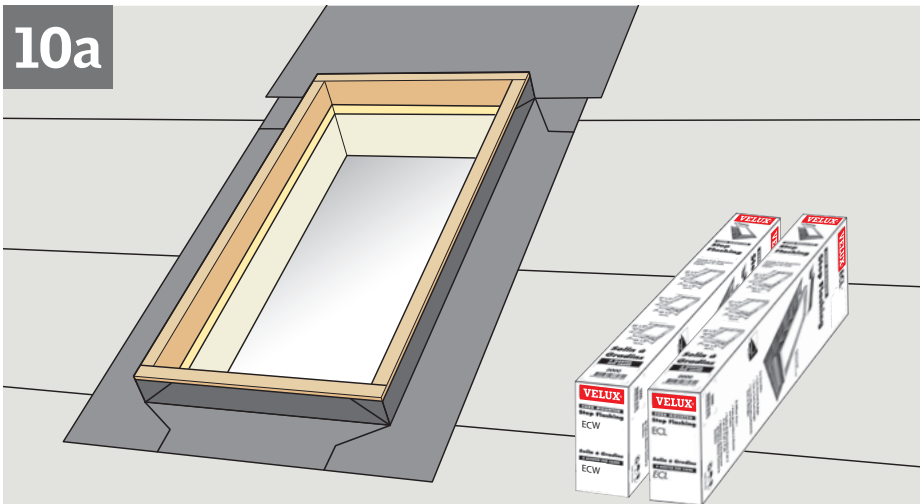


To allow for proper drainage, interweave felt with additional standard roofing underlayment as shown in 9a for new construction applications.

For retrofit applications, interweave felt with additional standard roofing underlayment as shown in 9b.

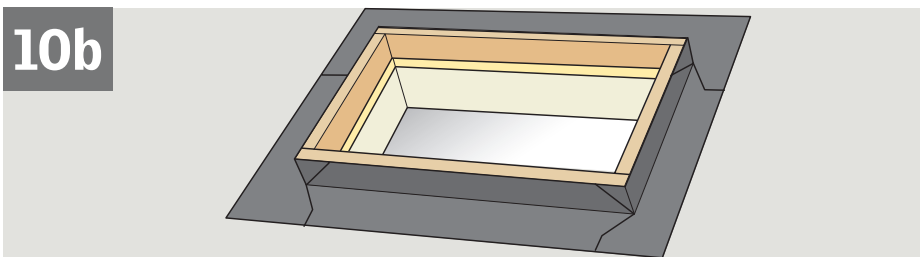
Installing flashing

10a

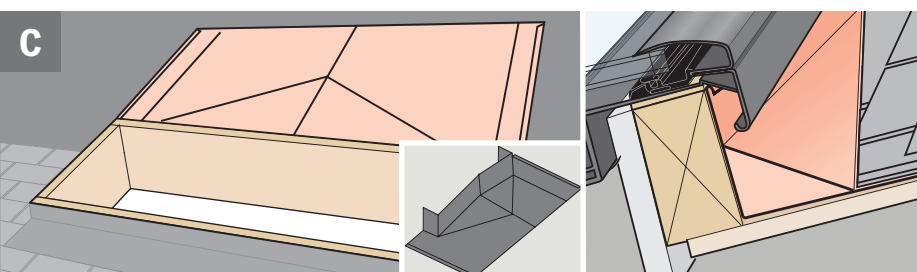
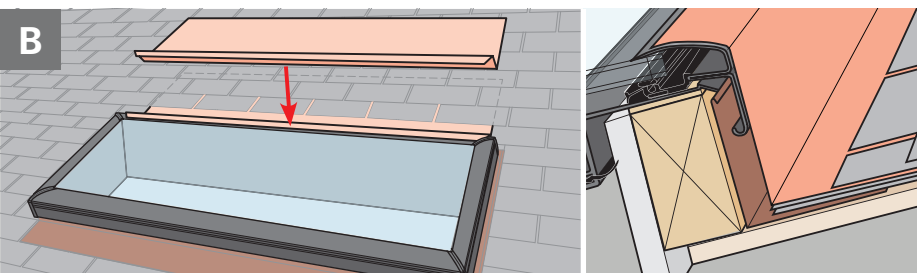
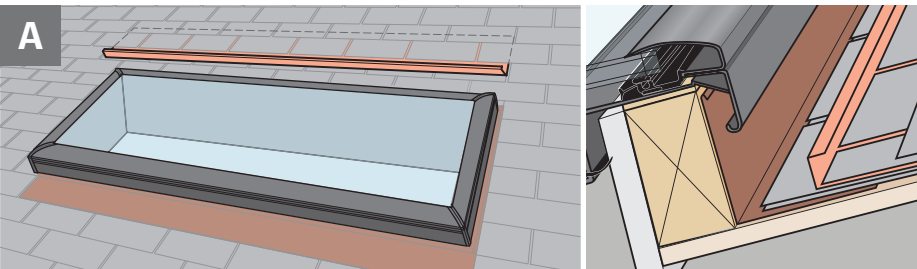


For thin roofing materials, use flashing ECL. ECL is designed for roof pitches 10°-60°.
For profiled roofing materials, use flashing ECW. ECW is designed for roof pitches 14°-60°.

10b

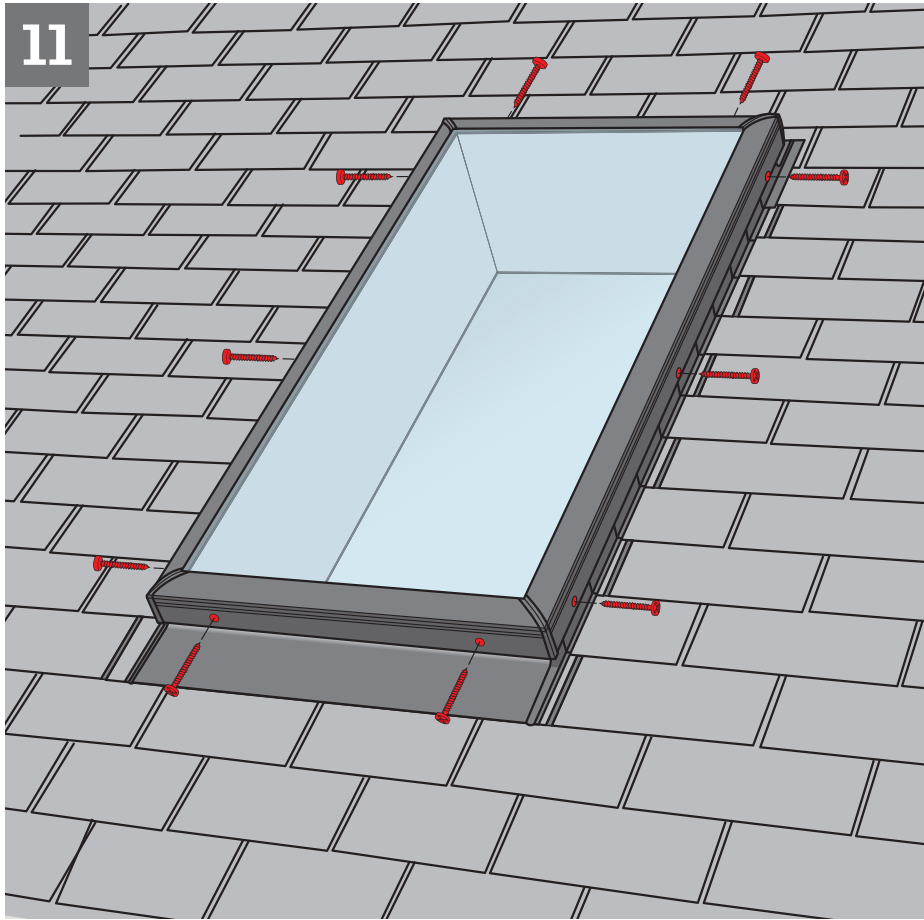


If custom-made flashing is used, consider options **A**, **B** or **C**.



Mounting skylight

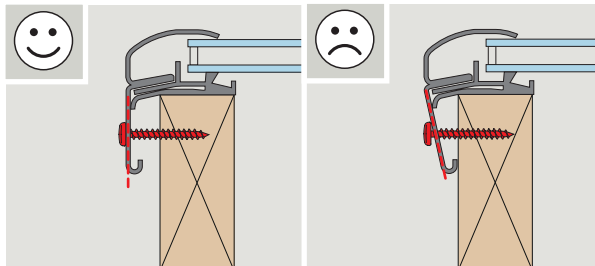
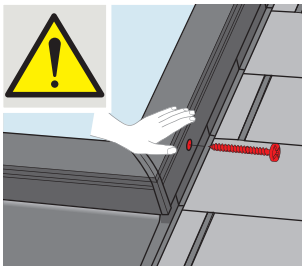
11



Centre the skylight on top of the curb and secure with 45 mm pan head stainless steel screws provided. Screws will penetrate the curb by at least 19 mm.

⚠ Apply downward pressure to the top of the skylight frame while securing the screws.

Do not overtighten the screws.





Home owner information
Please complete and give to home owner.

Date:

Product number (stamped on product exterior):

Quantity:

Flashing:

Accessories installed:

Model

Size

Variant code

Roofing material:

Installation contractor:

Dealer purchased from:

AU: VELUX Australia Pty. Ltd.
1300 859 856
www.velux.com.au
CA: VELUX Canada Inc.
1 800 88-VELUX (888-3589)
www.velux.ca

JP: VELUX-Japan Ltd.
0570-00-8141
www.velux.co.jp
KR: VELUX International (VELUX A/S)
+45 7632 9240
www.velux.co.kr

NZ: VELUX New Zealand Ltd.
0800 650 445
www.velux.co.nz
US: VELUX America LLC
1-800-88-VELUX
www.veluxusa.com

www.velux.com